

THE REVOLUTION HAS BEGUN

 **coversun**
solar roofing system
by Cappello Group



www.coversun.it

THE ALUMINUM ROOFING SYSTEM ON
Y-BEAMS FOR THE INTEGRATION OF
PHOTOVOLTAIC PANELS.

TOTAL ARCHITECTURAL INTEGRATION
MAXIMUM ECONOMIC EFFICIENCY.



Made in Italy



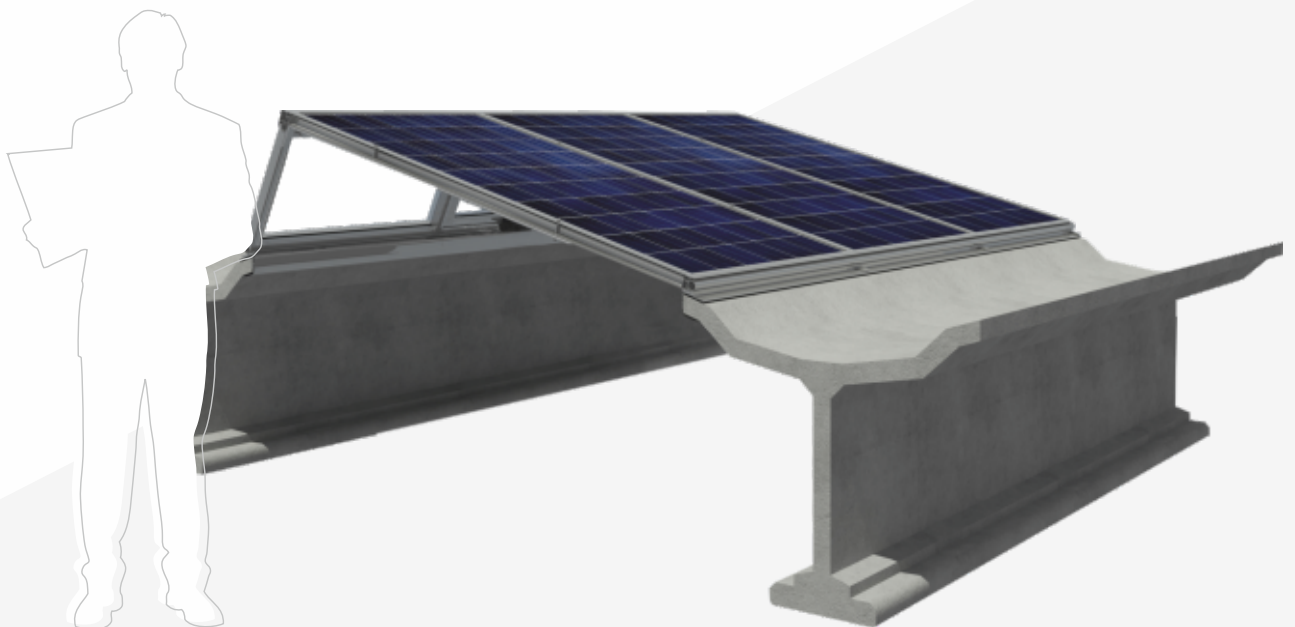
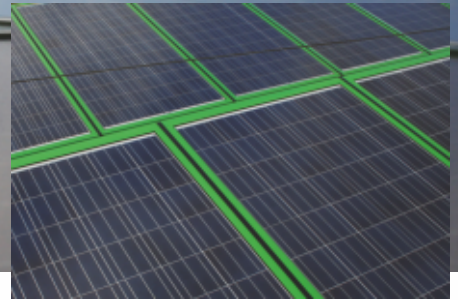
coversun

solar roofing system



Coversun is a patented modular roofing system built with aluminum and steel sections capable of fully integrating **Micron** photovoltaic modules in industrial, commercial, and artisanal buildings constructed with prefabricated elements and with special Y-type prestressed reinforced concrete beams.

Coversun's goal is to manufacture modular roofing, offering diversified features that encourage its adoption both for the replacement of roofs on already existing industrial buildings and for the construction of new buildings.



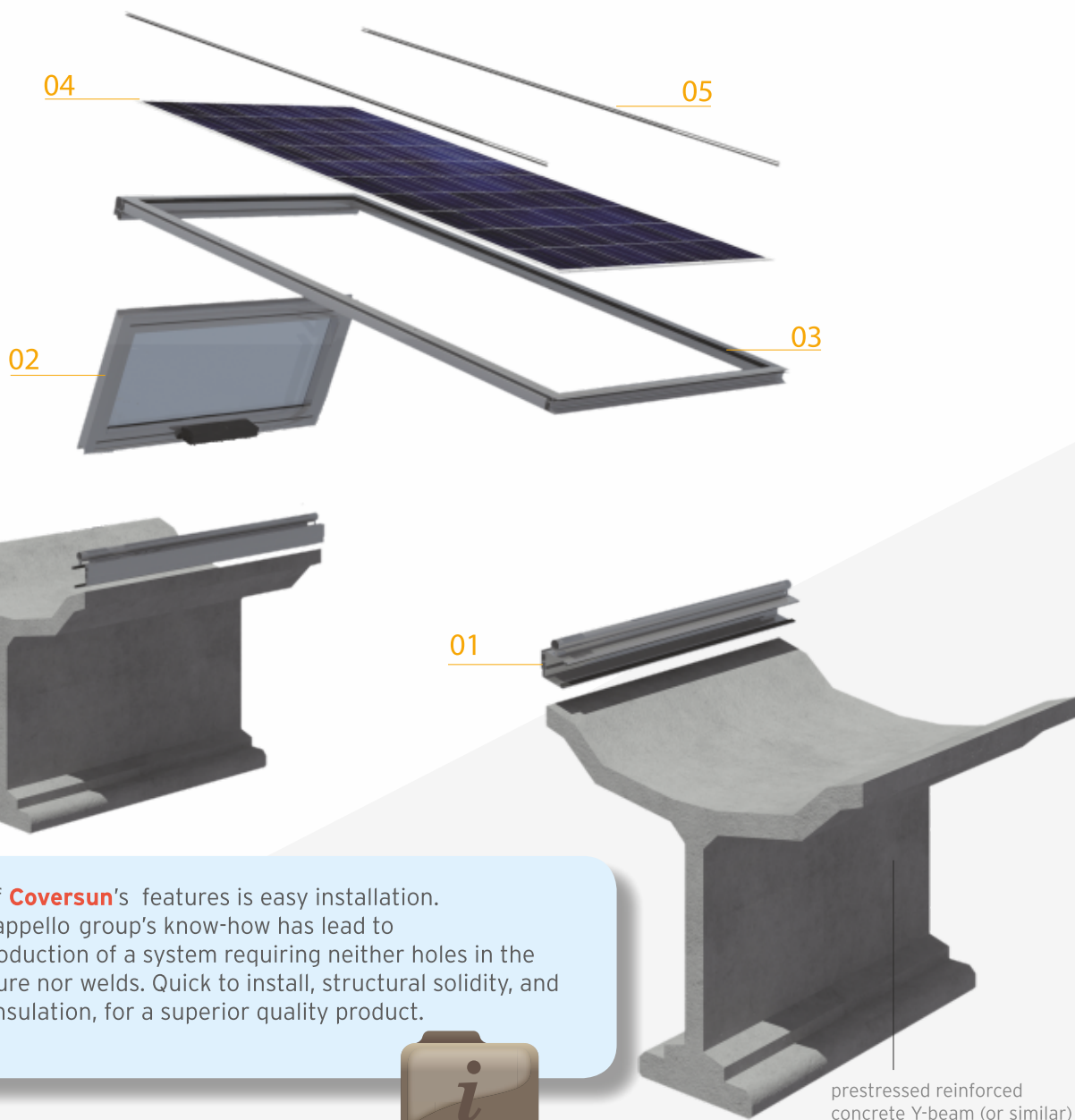
An industrial loft building before and after installation of **Coversun**



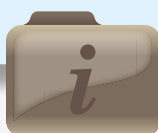
This system is suitable for existing bays of any structure and size.

Coversun is capable of producing energy while at the same time protecting against atmospheric agents thanks to its purposely innovative system of aluminum sections and hermetically sealed gaskets, specially designed and manufactured by a highly qualified technical staff, thanks to the **Cappello industrial group's** more than fifty years of experience in the window and door frames sector of the building industry.

THE COVERSUN MODULE



One of **Coversun's** features is easy installation. The Cappello group's know-how has led to the production of a system requiring neither holes in the structure nor welds. Quick to install, structural solidity, and total insulation, for a superior quality product.

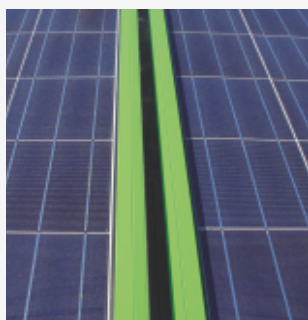


prestressed reinforced concrete Y-beam (or similar)



KEY

- 01 Clamp-on frame-guide sections, pre-painted aluminum **Coversun** structure.
- 02 Framed glass side window with pre-painted aluminum **Coversun** structure (fixed or movable/motorized).
- 03 Pre-painted aluminum **Coversun** structure frame for housing photovoltaic panels.
- 04 Micron photovoltaic panel.
- 05 Central water-tight thermal-barrier coupling seal



Coversun installs photovoltaic panels





coversun TH THERMIC

solar roofing system

COVERSUN's thermoregulation reduces the energy consumption of a building and eliminates problems related to the production of condensation – essentially improving the building's “energy performance”. Coversun-Th system may be installed as a fully-functional roof in its own right, giving our clients the option to install our photovoltaic panels at a later date.

COVERSUN replaces the original roof with a insulated and lightweight cover, that provides good lighting and ventilation.

The possibility of installing a photovoltaic system after the installation of the structure allows our clients to spread their investment over a period of time. Since the **Coversun-Th** system may be installed as a fully-functional roof in its own right, our clients can opt to install our photovoltaic panels at a later date.

The Coversun-Th system regulates the thermal functions of industrial and commercial buildings.

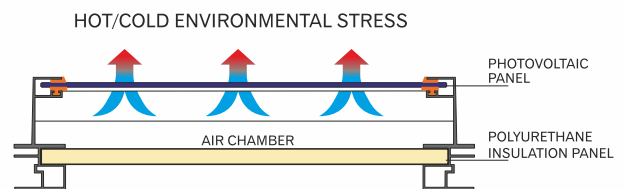
Coversun-Th insulated solar cover.

Guarantees thermal insulation thanks to a system of aluminum plates sandwiched in polyurethane, framed in extruded, 6060 aluminum-alloy, which can either be coated with thermosetting polyester powder or anodized.

Coversun-Th solar cover **offers both aesthetics and robustness. It is particularly suitable for insulated covers for industrial use.**

Different color-options.

Coversun-Th is designed to combine insulating functionality, thermal adjustment, and photovoltaic energy production, all in one integrated system.



Sketch of coversun-th ventilated roof

The Coversun-Th system is composed of an outer sheet and an inner sheet with an interior layer of polyurethane rigid foam, thus providing ideal insulation. 10% of the polyurethane rigid foam, consists of a resin with high insulating properties and total density of 40 kg / m³.

- Application areas: agricultural, industrial and replacement and small domes.
- Mounting: horizontal and vertical.
- Fixing: partly hidden and partly visible.
- Insulation element: polyurethane.

Advantages

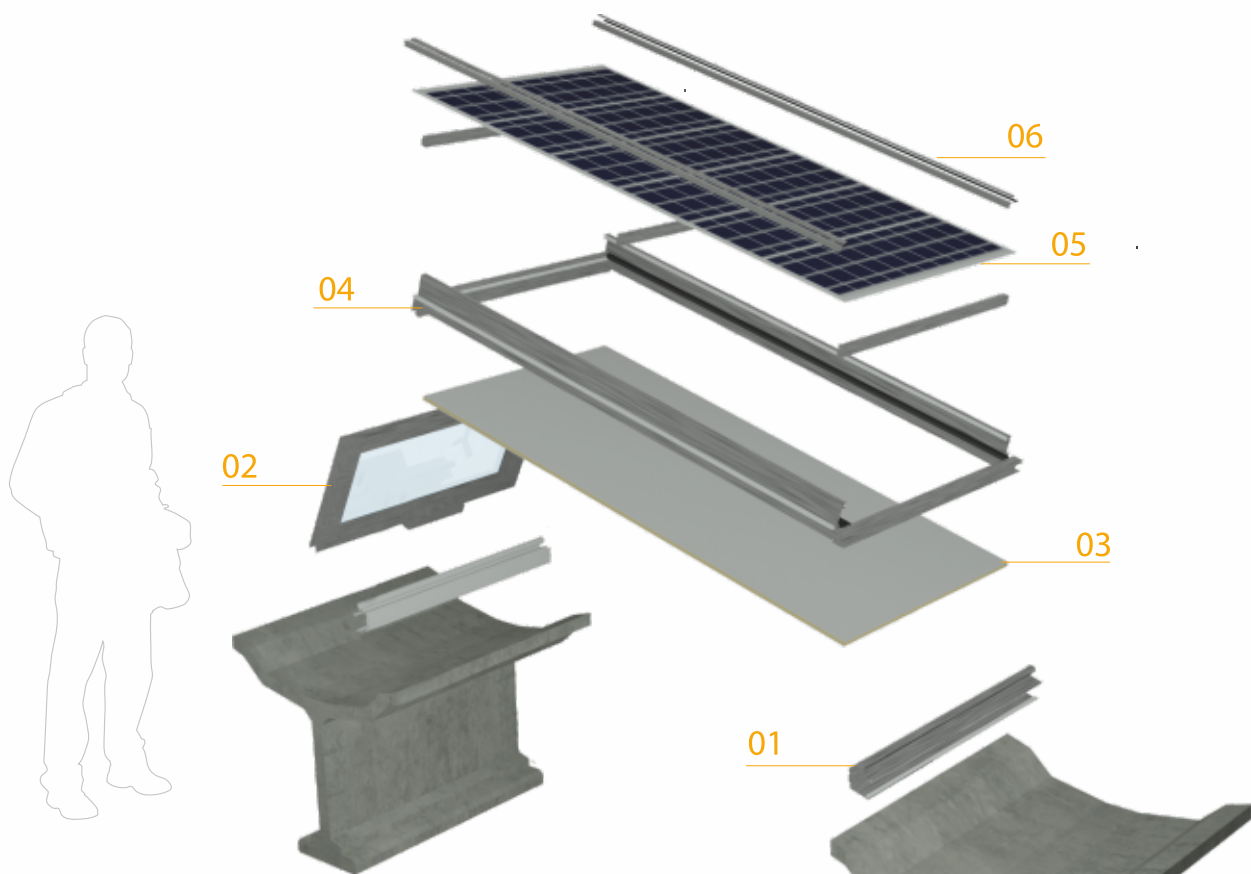
The Coversun-Th system is a very economically viable alternative which guarantees high thermal insulation, air- and water-proofing.

Strengths

- High functionality
- High strength
- High thermal insulation
- High waterproofing
- Ideal for the replacement of asbestos in domes and shells.

Cappello Group is a leader in the field of industrial photovoltaic roofs with innovative features, dedicated to offering solutions for industrial buildings made with Y- or similar beams.

COVERSUN TH WILL
KEEP YOUR FACILITIES
COOL IN SUMMER AND
WARM IN WINTER



- 01 Clamp-on frame-guide sections, pre-painted aluminum **Coversun** structure.
- 02 Framed glass side window with pre-painted aluminum **Coversun** structure (fixed or movable/motorized).
- 03 Insulated **Coversun** TH.
- 04 Pre-painted aluminum **Coversun** structure frame for housing photovoltaic panels.
- 05 Micron photovoltaic panel.
- 06 Central water-tight thermal-barrier coupling seal.

prestressed reinforced
concrete Y-beam (or similar)

www.coversun.it



spazio

Revisione n. 3 del febbraio 2016



CAPPELLO GROUP S.p.A.

Z. I. IV Fase Viale 3 n°5 - 97100 Ragusa (Italy)
Tel. +39 0932 660 211/261 (centralino)
Fax +39 0932 660 222/250/252
info@cappelloalluminio.it



www.cappellogroup.it

made in
europe

The images and text contained in this document are indicative, Cappello Group S.p.A. reserves the right to make changes to the information provided without prior notice. The partial or full reproduction of this catalogue is prohibited. ©2016 Cappello Group S.p.A. All rights reserved.

The company reserves the right to change, without prior notice, materials and product specifications for technical and/or manufacturing reasons.